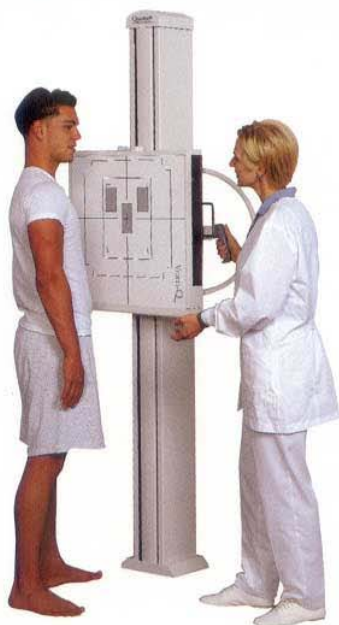


# VERTI-Q Wall Stand Series

## "VERTI-Q" VERTICAL WALL STAND (QW-420)



Quantum's Vertical Wall Stand, VERTI-Q, is a stylized, single-columned structure with an enclosed receptor frame. A low-absorption front cover includes cassette centering lines and AEC chamber indicators for precise patient positioning. The VERTI-Q can be matched with multi-speed reciprocating buckies, fixed grids, automatic cassette loading systems, or digital receptors.

Expanded vertical travel of the VERTI-Q allows a variety of imaging series, from skull through weight bearing examinations.

It easily accommodates a variety of views including standing, weight-bearing knee exams, (center of film 13.75 inches [35 cm] from floor) to standing skull procedures (center of film 74.25 inches [186 cm] from floor).



Patient overhead and side-mounted handgrips are available to stabilize patients during standing and weight bearing exams.

*A specialized extension kit provides an 8" column offset, simplifying seated examinations.*

## "VERTI-Q 14 X 36" VERTICAL WALL STAND (QW-421)

The VERTI-Q 14" X 36" is available for facilities requiring capabilities for full spinal examinations (14" X 36"), as well as all other standard film sizes.



 **Quantum**<sup>TM</sup>  
MEDICAL IMAGING  
*Innovations in Imaging.*

## "VERTI-Q TILT" VERTICAL WALL STAND (QW-420-T)



Quantum's Tilting Wall Stand has an adjustable receptor range of 90° to -15°, providing great flexibility for various exams. The receptor tilt movement is motorized through the use of a convenient remote control switch. Automatic stops are provided at -15°, 0°, and 90°. Vertical travel is electromagnetic through the use of a FAIL-SAFE design and incorporates Quantum's exclusive EZ-Glide hand control.

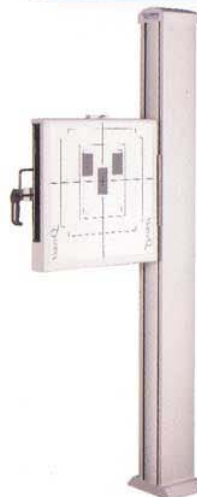


## EZ-GLIDE HAND CONTROL

The entire VERTI-Q series integrates Quantum's exclusive EZ-Glide hand control, which is ergonomically designed to allow operator adjustment from a comfortable standing position with minimal effort.



## "VERTI-Q SIDE MOUNT" VERTICAL WALL STAND (QW-420-S)



The VERTI-Q Side Mounted Vertical Wall Stand includes all of the features of the standard model (QW-420). As a side-mounted wall stand, this structure is ideal for small rooms or where space is restricted.

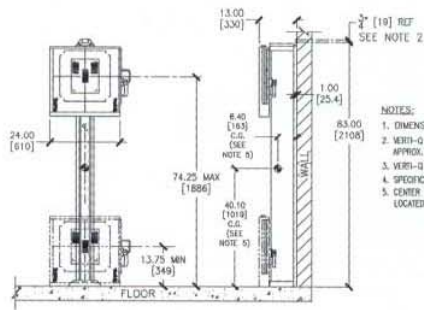


# Specifications

## "VERTI-Q" Vertical Wall Stand: QW-420

- Vertical Travel: 60.5" (154 cm)
  - Minimum Focal Spot-to-Floor Distance: 13.75" (35 cm)
  - "EZ-Glide" Hand control, grip rotates +90°
  - Enclosed frame with built-in patient chin rest
  - Low absorption front cover material with cassette and AEC Indicators
  - FAIL-SAFE electromagnetic braking system and integral counterbalancing
- Options: Patient "Side Mounted" Handgrips (QW-HG-20)  
Patient "Overhead" Handgrips (QW-HG-30)  
Extension Bracket - 8" (QW-EX-8)

- \* Specify either right or left hand loading
- \* Available for use with digital (DR) receptor (QW-420-D)



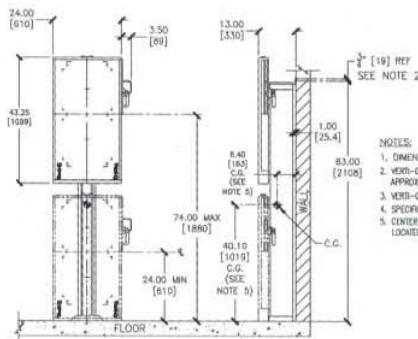
- NOTES:
1. DIMENSIONS WITHIN [ ] ARE IN MILLIMETERS.
  2. VERTI-Q MOUNTING POINTS MUST WITHSTAND APPROX. 150 LBS [68.04 kg] PULL.
  3. VERTI-Q WEIGHT: 2200#.
  4. SPECIFICATIONS SUBJECT TO CHANGE WITHOUT PRIOR NOTICE.
  5. CENTER OF GRAVITY (C.G.) IS CALCULATED WITH BUDDY LOCATED 54" FROM CENTER TO FLOOR (APPROX. CHEST HEIGHT).



## "VERTI-Q 14 X 36" Vertical Wall Stand: QW-421

- Vertical Travel: 42" (107 cm)
- "EZ-Glide" Hand control, grip rotates +90°
- Built-in patient chin rest
- Low absorption front cover material with cassette and AEC Indicators
- FAIL-SAFE electromagnetic braking system and integral counterbalancing
- Dual cassette tray positioning with separate 14" X 36" cassette channel

- \* Specify either right or left hand loading



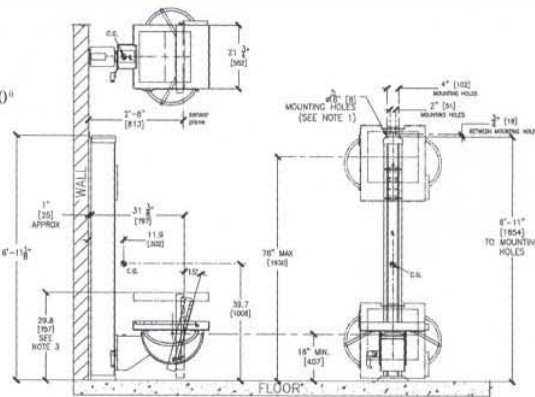
- NOTES:
1. DIMENSIONS WITHIN [ ] ARE IN MILLIMETERS.
  2. VERTI-Q MOUNTING POINTS MUST WITHSTAND APPROX. 150 LBS [68.04 kg] PULL.
  3. VERTI-Q WEIGHT: 2200#.
  4. SPECIFICATIONS SUBJECT TO CHANGE WITHOUT PRIOR NOTICE.
  5. CENTER OF GRAVITY (C.G.) IS CALCULATED WITH BUDDY LOCATED 54" FROM CENTER TO FLOOR (APPROX. CHEST HEIGHT).



## "VERTI-Q TILT" Vertical Wall Stand: QW-420-T

- Motorized Tilting Movement (+90°/-15°), with auto stops at -15°, 0° and 90°
  - Remote hand switch for control of motorized travel
  - Receptor angulation gauge for easy visualization of tilt angle
  - Vertical Travel: 60.0" (153 cm)
  - Minimum Focal Spot-to-Floor Distance: 13.75" (35 cm)
  - "EZ-Glide" Hand control, grip rotates +90°
  - Enclosed frame with built-in patient chin rest
  - Low absorption front cover material with cassette and AEC Indicators
  - FAIL-SAFE electromagnetic braking system and integral counterbalancing
- Options: Patient "Side Mounted" Handgrips (QW-HG-20)

- \* Specify either right or left hand loading
- \* Available for use with digital (DR) receptor (QW-420-T-D)



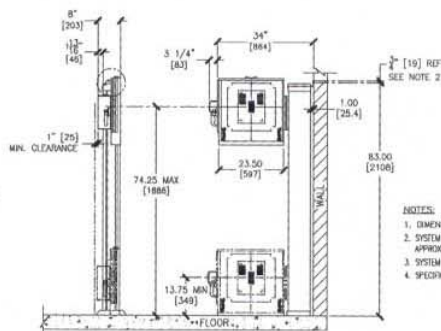
- NOTES:
1. MOUNTING HARDWARE MUST WITHSTAND APPROX. 150 LBS [68.04 kg] PULL.
  2. ALL DIMENSIONS SUBJECT TO CHANGE WITHOUT PRIOR NOTICE.
  3. CENTER OF GRAVITY HAS BEEN CALCULATED WITH IMAGE RECEPTOR IN A HORIZONTAL POSITION AND HEIGHT SET AT 29.8".



## "VERTI-Q SIDE MOUNT" Vertical Wall Stand: QW-420-S

- Side mounted structure for space savings within room
  - Vertical Travel: 60.5" (154 cm)
  - Minimum Focal Spot-to-Floor Distance: 13.75" (35 cm)
  - "EZ-Glide" Hand control, grip rotates +90°
  - Enclosed frame with built-in patient chin rest
  - Low absorption front cover material with cassette and AEC Indicators
  - FAIL-SAFE electromagnetic braking system and integral counterbalancing
- Options: Patient "Overhead" Handgrips (QW-HG-30)

- \* Specify either right or left hand loading



- NOTES:
1. DIMENSIONS WITHIN [ ] ARE IN MILLIMETERS.
  2. SYSTEM MOUNTING POINTS MUST WITHSTAND APPROX. 150 LBS [68.04 kg] PULL.
  3. SYSTEM WEIGHT: 2200#.
  4. SPECIFICATIONS SUBJECT TO CHANGE WITHOUT PRIOR NOTICE.



Specifications subject to change without prior notice.



Quantum Medical Imaging, LLC

2905 Veterans Memorial Highway • Ronkonkoma, NY 11779 USA • Tel: (631) 567-5800 • Fax: (631) 567-5074  
E-mail: info@qmteam.com • www.quantummedical.net

© 2001 Quantum Medical Imaging, LLC  
p/n: QMI-VQ (11/01)